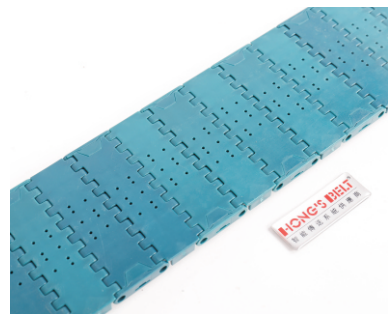
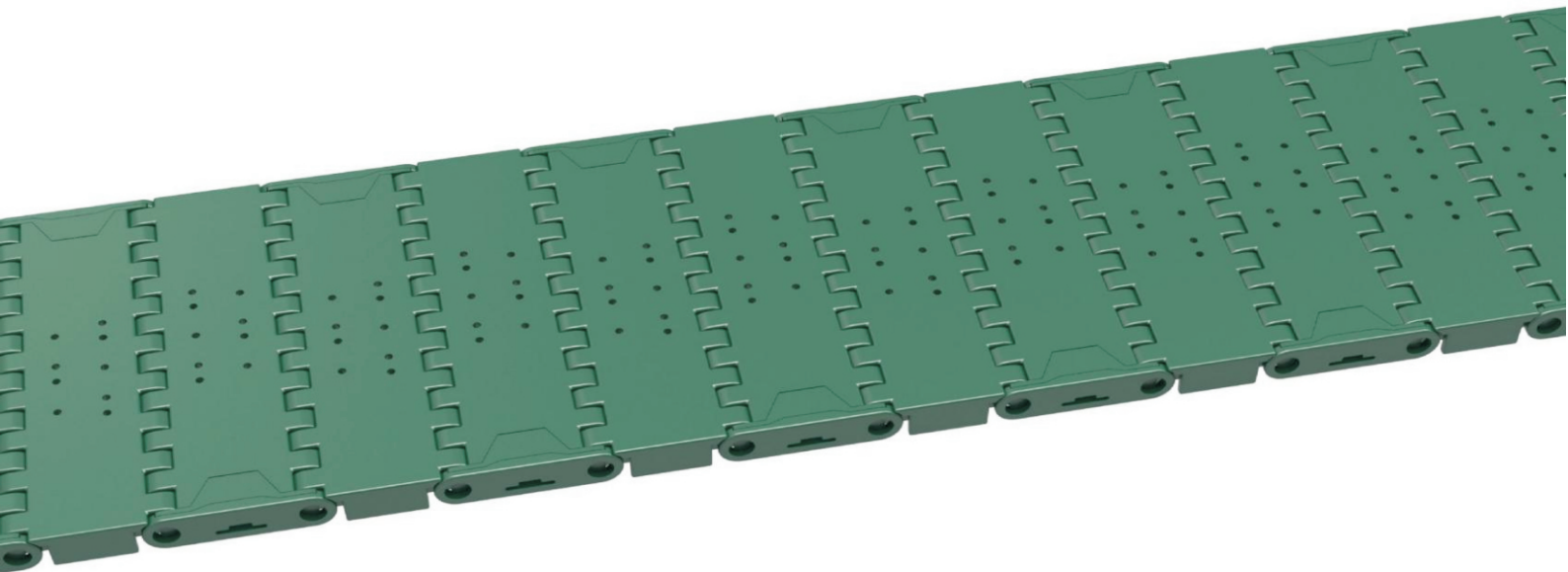


## HS-F1000-85AB Technical Data Sheet



Pitch: 25.4mm Minimum Width: 85mm Open Area: 1% Approved: FDA Rod: Ø 4.5mm Flight: No Side Guard: No Curve: No	
---	--

## Data

Belt Material	Belt Strength			Temperature		Belt Weight
	Straight		Curve	°C (min.)	°C (max.)	(K g / M )
	Kg/M(BW)	N/M(BW)				
Acetal	2200	22000	--	-40	80	0.58

BW – Belt Width

## Color Table

Polypropylene					Polyethylene					Acetal					Nylon				
W	G	N	DB	B	W	G	N	DB	B	W	G	N	DB	B	W	G	N	DB	B
●	●																		

W-White, G-Gray, N-Nature, DB-Dark brown, B-Blue

## Friction Table

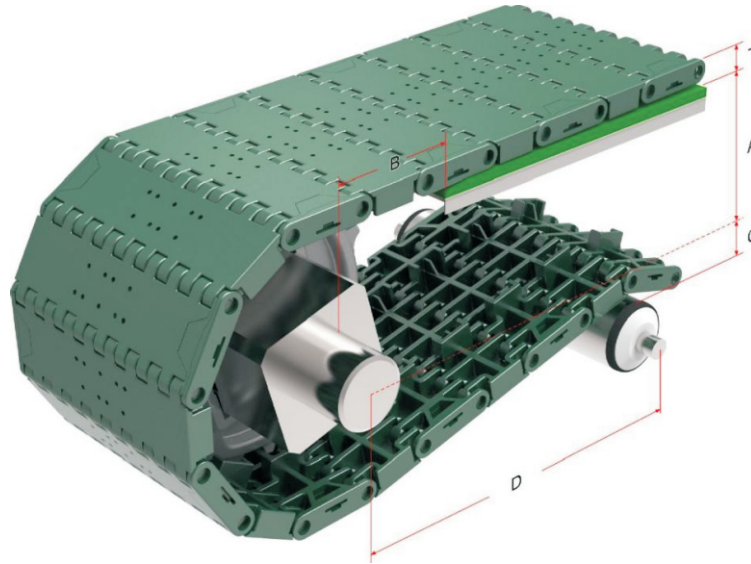
Belt Material	Friction Wear strips & Products							
	UHMW	HDPE	Steel	Glass	SUS	Plastic	Cardboard	Aluminum
Polypropylene	0.32	0.24	0.15	0.09	0.13	0.08	0.15	0.25
Polyethylene	0.13	0.11	0.26	0.19	0.31	0.16	0.21	0.41
Acetal	0.11	0.09	0.27	0.16	0.26	0.15	0.19	0.28
Nylon	0.18	0.13	0.25	0.16	0.26	0.16	0.19	0.27

SUS – Stainless Steel

## Equivalent type with other Brand

Brand Name	Intralox	UNI	Rexnord	MCC	Habasit	KVP
Series & Type	400					

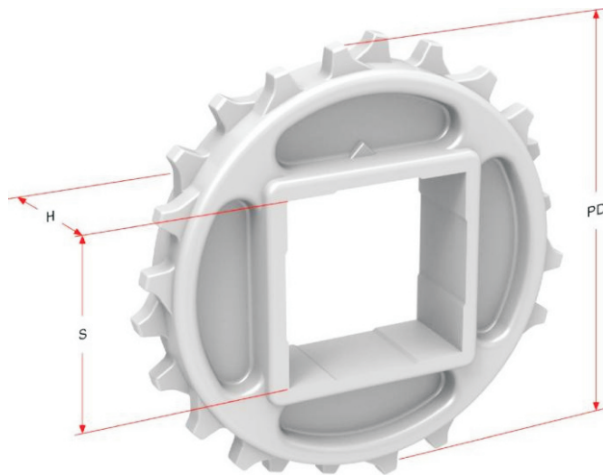
The above content is only for reference.



**Conveyor Frame Dimensions**

Unit : mm

No. Teeth	A ( Min.)	B ( Min.)	C ( Max.)	D ( Min.)	T
12-2R	44	59	44	200	8.6
18-2R	70	84	70	200	
20-2R	78	93	78	200	



**Sprocket Dimensions**

Unit: mm

No. Teeth	PD	S	D	H	K
12-2R	97	38.5/40.5	30.5	20	8*8
18-2R	148	40.5/60.8	30.5/40.5/50.5	20	8*8
20-2R	165	40.5/60.5	50.5	20	14*9